

WPP-531-X SPECIFICATIONS

HANDSFREE SPEAKERPHONE WITH PUSH-BUTTON AUTODIAL FOR RING-DOWN OPERATION IN A WEATHERPROOF HOUSING

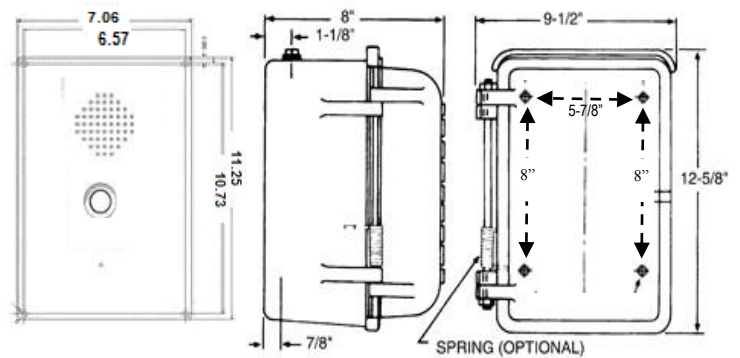
Standard Analog Power, but also available in VoIP versions

Heavy duty stainless steel handsfree speakerphone in a cast aluminum black waterproof housing with TELEPHONE on door and pin latch for wall or pole mount. Designed with push button for ring-down operation and red/green LED light provides visual indication of call progress. Telephone can be programmed to time out calls from 1-9 minutes or no time out and block or allow incoming calls. Telephone can not be left off-hook, as it detects when called party hangs up and resets itself. Phone relies on external equipment to control calling. Equipped with a weatherproof, puncture resistant speaker and microphone and tamper resistant security screws. ADA Emergency features Available. WPP models available in black, (-R) red, (-Y) Yellow, or (-G) Gray with TELEPHONE or EMERGENCY on door.



SPECIFICATIONS

- Panel Size:** 7 1/6"W x 11 1/4"H
- Weatherproof Housing:** 9 1/2"W x 12 5/8"H x 8"D (Including Door)
- Weight:** Approximately 17 lbs.
- Mounting Instructions:** Weatherproof Housing
4 holes spaced 8" x 5 7/8"
Also available pole mounting bracket
- Environment:** Temperature: -30°C (-22°F) to 60°C (140°F)
Humidity: 0%-90% non-condensating
- Programming:** Via DTMF Keypad
- Input Power:** Telephone Line Powered
- Loop Current:** 30mA min to 80mA max
- Impedance:** 600 ohms
- Type Jack:** RJ11C
- Ringer Equivalency:** 0.4A
- UL & FCC Registration:** Certified
- ACCESSORIES:** 301-064 Security Tool
(required for installation)



ADDITIONAL OPTIONS IP - Voice over Internet Protocol Version available on all models (SIP)

-ADA	Weatherproof Housing	-ST/-SB/-RST	-RIL	-SP	Pole Mount	Additional Options & Features
						Auto Answer (AA) Remote Programming (RP) Voice Announcement (VA)
<ul style="list-style-type: none"> • Red/ green LED call progress indicator light • Braille Emergency Plate "EMERG. PHONE" • Red push button 	Standard Black & TELEPHONE on Door -B-EMER Black & EMERGENCY on Door -R Red & EMERGENCY on Door -R-TEL Red & TELEPHONE on Door -Y Yellow & EMERGENCY on Door -Y-TEL Yellow & Telephone on Door -G Grey & TELEPHONE on Door -G-EMER Grey & EMERGENCY on Door	Blue Strobe Light option: <ul style="list-style-type: none"> • Steady on • Flashing • For location visibility • <i>Requires AC power</i> 	Ring Indicator Light located on the phone panel for visual ring indication.	Spring loaded door option	Pole Mounting bracket fits poles 2.5" - 6".	



Providing Telecommunication Solutions Since 1930