

# WPP-333-E SPECIFICATIONS

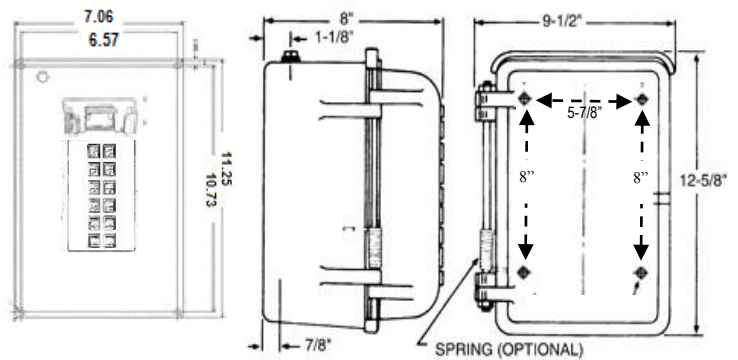
## HANDSET TELEPHONE PANEL WITH A 12 NUMBER KEYPAD FOR AUTODIAL IN A WEATHERPROOF HOUSING

Heavy duty weatherproof stainless steel phone in a cast aluminum black housing with TELEPHONE on door and pin latch for wall or pole mount. Designed with twelve (12) automatic dialer push buttons. Each push button is programmable to dial 1-23 digits, PBX, prefix, or access dialing capability, and incoming calls may be allowed or blocked. Equipped with marine quality chrome tone dial keypad with 2 column, 12 button configuration and mechanical hookswitch, label area next to each push button to list destination button will call, ID window, 18" hearing aid compatible armored cord handset or optional (-CCH5) 5 foot industrial strength coiled cord handset, and tamper resistant security screws. WPP models available in black, (-R) red, (-Y) Yellow, or (-G) Gray with TELEPHONE or EMERGENCY on door.



### SPECIFICATIONS

<b>Panel Size:</b>	7 1/6"W x 11 1/4"H
<b>Weatherproof Housing:</b>	9 1/2"W x 12 5/8"H x 8"D (Including Door)
<b>Weight:</b>	Approximately 17lbs.
<b>Mounting Instructions:</b>	Weatherproof Housing 4 holes spaced 8" x 5 7/8" Also available pole mounting bracket
<b>Environment:</b>	Temperature: -30°C (-22°F) to 60°C (140°F) Humidity: 0%-90% non-condensing
<b>Programming:</b>	Via DTMF Keypad
<b>Memory Retention:</b>	Lithium Battery- Long Life
<b>Input Power:</b>	Telephone Line Powered
<b>Loop Current:</b>	25mA min to 80mA max
<b>Impedance:</b>	600 ohms
<b>Type Jack:</b>	RJ11C
<b>Ringer Equivalency:</b>	0.4A
<b>Hearing Aid Compatible:</b>	Meets EIA standards
<b>UL &amp; FCC Registration:</b>	Certified
<b>ACCESSORIES:</b>	301-064 Security Tool (required for installation)



### ADDITIONAL OPTIONS

IP - Voice over Internet Protocol Version available on all models (SIP)

-M	-CCH*	-LB	Weatherproof Housing	-ST/-SB/-RST	-RIL	-SP	Pole Mount
Sealed Magnetic Hookswitch • Completely Sealed • No Moving Parts	Coiled cord available from 5', 10', & 15' (feet). Example: -CCH5 5' Long	Handset w/ internal steel lanyard (braided metal rope) and lanyard mounting bracket that is secured onto panel for added strength.	Standard Black & TELEPHONE on Door -B-EMER Black & EMERGENCY on Door -R Red & EMERGENCY on Door -R-TEL Red & TELEPHONE on Door -Y Yellow & EMERGENCY on Door -Y-TEL Yellow & Telephone on Door -G Grey & TELEPHONE on Door -G-EMER Grey & EMERGENCY on Door	Blue Strobe Light option: • Steady on • Flashing • For location visibility • Requires AC power	Ring Indicator Light located on the phone panel for visual ring indication.	Spring loaded door option	Pole Mounting bracket fits poles 2.5" - 6".



Providing Telecommunication Solutions Since 1930

Communication Equipment  
& Engineering Company

http://www.ceeco.net  
Email: sales@ceeco.net

519 SW Park Street  
Okeechobee, FL  
Voice 863-357-0798  
Fax 863-357-0006