

# WPP-331-X SPECIFICATIONS

## HANDSET TELEPHONE PANEL WITH AUTODIAL FOR RING-DOWN OPERATION IN A WEATHERPROOF HOUSING

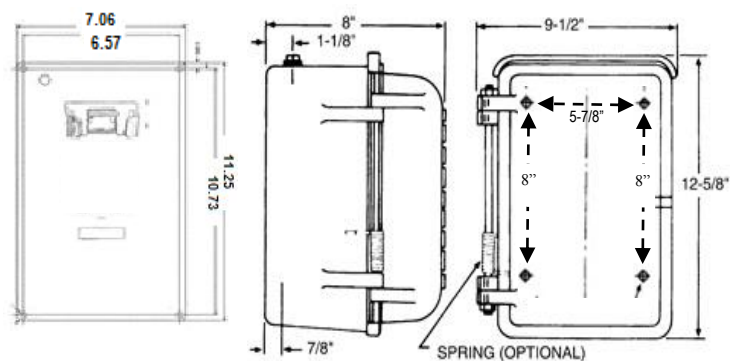
*Standard Analog Power, but also available in VoIP versions*

Heavy duty weatherproof stainless steel phone for ring-down operation in a cast aluminum black housing with TELEPHONE on door and pin latch for wall or pole mount. The telephone will accept incoming calls and relies on external equipment to control calling. Equipped with marine quality chrome mechanical hookswitch, ID window, 18" hearing aid compatible armored cord handset or (-CCH5) 5 foot industrial strength coiled cord handset, and tamper resistant security screws. WPP models available in black, (-R) red, (-Y) Yellow, or (-G) Gray with TELEPHONE or EMERGENCY on door.



### SPECIFICATIONS

|                                   |  |
|-----------------------------------|--|
| <b>Panel Size:</b>                | 7 1/6"W x 11 1/4"H   |
| <b>Weatherproof Housing:</b>      | 9 1/2"W x 12 5/8"H x 8"D (Including Door)  |
| <b>Weight:</b>                    | Approximately 17 lbs.  |
| <b>Mounting Instructions:</b>     | Weatherproof Housing<br>4 holes spaced 8" x 5 7/8"<br>Also available pole mounting bracket |
| <b>Environment:</b>               | Temperature: -30°C (-22°F) to 60°C (140°F)<br>Humidity: 0%-90% non-condensating            |
| <b>Input Power:</b>               | Telephone Line Powered   |
| <b>Loop Current:</b>              | 23mA min to 80mA max   |
| <b>Impedance:</b>                 | 600 ohms   |
| <b>Type Jack:</b>                 | RJ11C  |
| <b>Ringer Equivalency:</b>        | 0.4A   |
| <b>Hearing Aid Compatible:</b>    | Meets EIA standards  |
| <b>UL &amp; FCC Registration:</b> | Certified  |
| <b>ACCESSORIES:</b>               | 301-064 Security Tool<br>(required for installation)                                       |



### ADDITIONAL OPTIONS

IP - Voice over Internet Protocol Version available on all models (SIP)

| -M   | -IVC   | -CCH*   | -LB  | Weatherproof Housing  | -ST/-SB/-RST   | -RIL  | -SP                       | Pole Mount                                  |
|--|--|---|--|---|--|---|---------------------------|---|
|  |  |   |  |   |  |   |                           |   |
| Sealed Magnetic Hookswitch<br>• Completely Sealed<br>• No Moving Parts | Push Button Volume Control<br><br>Background Noise reduction | Coiled cord available from 5', 10', & 15' (feet).<br>Example: -CCH5 5' Long | Handset w/ internal steel lanyard (braided metal rope) and lanyard mounting bracket that is secured onto panel for added strength. | Standard Black & TELEPHONE on Door<br><b>-B-EMER</b> Black & EMERGENCY on Door<br><b>-R</b> Red & EMERGENCY on Door<br><b>-R-TEL</b> Red & TELEPHONE on Door<br><b>-Y</b> Yellow & EMERGENCY on Door<br><b>-Y-TEL</b> Yellow & Telephone on Door<br><b>-G</b> Grey & TELEPHONE on Door<br><b>-G-EMER</b> Grey & EMERGENCY on Door | Blue Strobe Light option:<br>• Steady on<br>• Flashing<br>• For location visibility<br>• Requires AC power | Ring Indicator Light located on the phone panel for visual ring indication. | Spring loaded door option | Pole Mounting bracket fits poles 2.5" - 6". |



*Providing Telecommunication Solutions Since 1930*

Communication Equipment  
& Engineering Company

<http://www.ceeco.net>  
Email: [sales@ceeco.net](mailto:sales@ceeco.net)

519 SW Park Street  
Okeechobee, FL

Voice 863-357-0798  
Fax 863-357-0006