

SSP-550-X SPECIFICATIONS

HANDSFREE SPEAKERPHONE PANEL WITH AUTODIAL PUSH BUTTON FOR LOW POWER CONSUMPTION AND RING-DOWN CAPABILITY

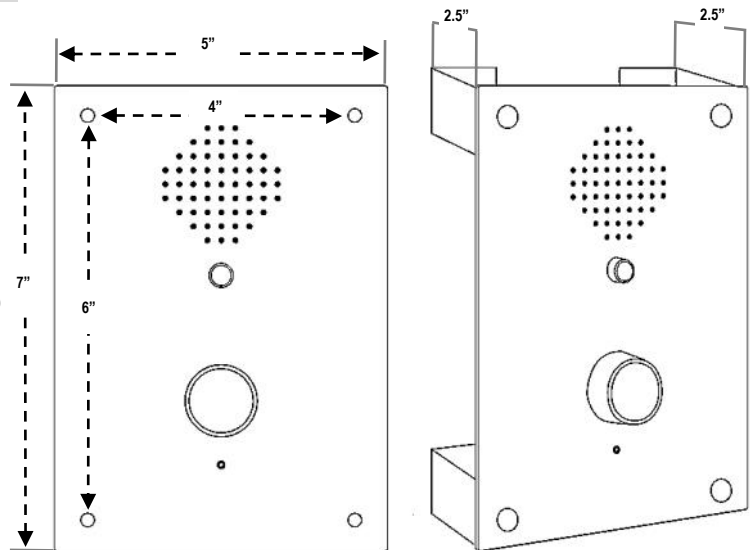
Standard Analog Power, but also available in VoIP versions

Durable mini stainless steel flush mount handsfree low power consumption speakerphone for emergency and courtesy communication. Designed for ring-down operation with red LED light to indicate phone is activated. Press red button to initiate and disconnect call. Telephone can be programmed to cancel calls after 1, 3, or 5 minutes or no call time-out. Phone relies on external equipment to control calling. Equipped with weatherproof, puncture resistant speaker and microphone, and tamper resistant security screws.



SPECIFICATIONS

Panel Size:	5"W x 7"H 2"D (Behind Panel) 2.5" D (Behind Panel w/ rough-in mounting box)
Weight:	Approximately 5 lbs.
Mounting Instructions:	Flush Mounted 4 Mounting holes on front panel Spaced: 4" x 6"
Environment:	Temperature: -30°C (-22°F) to 50°C (130°F) Humidity: 20%-90% non-condensating
Programming:	VIA Mini Jumper
Input Power:	Telephone Powered Line
Loop Current:	27mA min to 80mA max
Impedance:	600 ohms
FCC & UL:	Certified
Type Jack:	RJ11C
Ringer Equivalency:	0.4A
UL & FCC Registration:	Certified
Accessories:	301-037 Security Tool (required for installation when installed in vertical rough-in mounting box)



IP - Voice over Internet Protocol Version available on all models (SIP)



Providing Telecommunication Solutions Since 1930

Communication Equipment
& Engineering Company

<http://www.ceeco.net>

Email: sales@ceeco.net

519 SW Park Street

Okeechobee, FL

Voice 863-357-0798

Fax 863-357-0006