

SSP-550-D SPECIFICATIONS

HANDSFREE SPEAKERPHONE PANEL WITH AUTODIAL PUSH BUTTON FOR LOW POWER CONSUMPTION

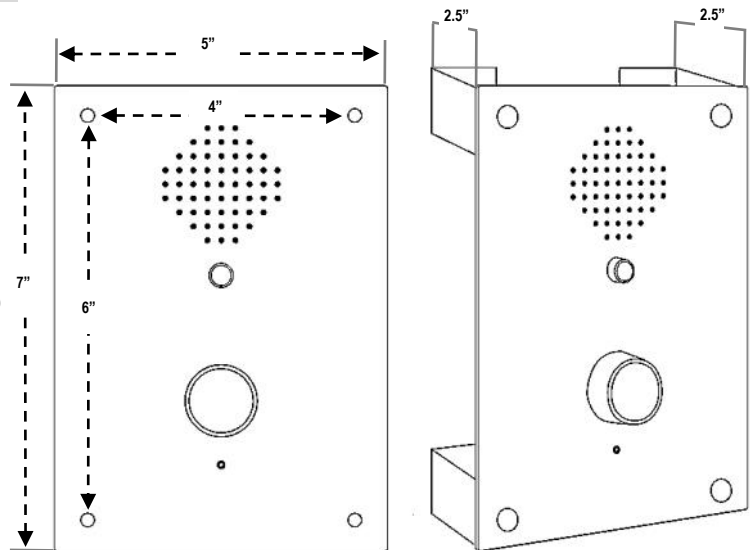
Standard Analog Power, but also available in VoIP versions

Durable mini stainless steel flush mount handsfree low power consumption speakerphone for emergency and courtesy communication. Designed to automatically dial a preprogrammed number from 1-11 digits when the red button is pushed with red LED light to indicate phone is activated. Press button to disconnect call. Telephone can be programmed to cancel calls after 1, 3, or 5 minutes or no call time-out. Equipped with weatherproof, puncture resistant speaker and microphone, and tamper resistant security screws.



SPECIFICATIONS

Panel Size:	5"W x 7"H 2"D (Behind Panel) 2.5" D (Behind Panel w/ rough-in mounting box)
Weight:	Approximately 5 lbs.
Mounting :	Flush Mounted 4 Mounting holes on front panel Spaced: 4" x 6"
Environment:	Temperature: -30°C (-22°F) to 50°C (130°F) Humidity: 20%-90% non-condensating
Programming:	VIA Mini Jumper
Input Power:	Telephone Powered Line
Loop Current:	27mA min to 80mA max
Impedance:	600 ohms
FCC & UL:	Certified
Type Jack:	RJ11C
Ringer Equivalency:	0.4A
UL & FCC Registration:	Certified
Accessories:	301-037 Security Tool (required for installation when installed in vertical rough-in mounting box)



IP - Voice over Internet Protocol Version available on all models (SIP)



Providing Telecommunication Solutions Since 1930

Communication Equipment
& Engineering Company

<http://www.ceeco.net>

Email: sales@ceeco.net

519 SW Park Street

Okeechobee, FL

Voice 863-357-0798

Fax 863-357-0006