

SSP-363-FE SPECIFICATIONS

LARGE FLUSH OR WALL MOUNTED HANDSET PANEL TELEPHONE WITH KEYPAD & 12 BUTTON AUTODIAL KEYPAD

Sturdy heavy gauge stainless steel flush mount panel telephone with a keypad for standard dialing and 12 automatic dialer push buttons. Programmable features include call restrictions, PBX, prefix, or access dialing capability, timed call duration setting from no limit up to 30 minutes, allow or block incoming calls, standard keypad can program up to 40 (1-11 digits) speed dialing locations, and the 12 button (2 column) keypad provides 12 autodial buttons of a single number from 1-11 digits. Phone is built with marine quality chrome tone dial keypad and mechanical hook switch, 32" hearing aid compatible armored cord handset, label area next to each push button to list destination button will call, ID window, advertising or instruction window, tamper resistant security screws, and rough in steel mounting box. Optional (-SW) stainless steel surface mount box available.



SPECIFICATIONS

Panel Size: 10.12"W x 13.12"H
2"D (Behind Panel)
3"D (Front Panel & Handset on Hook)
5.65"D (With Wall Mounting Box and Handset on Hook)

Weight: Approximately 10 lbs.

Mounting Instructions: Rough-in flush mounting box **(Standard)**
Dimensions: 8.50" W x 11.50"H x 2.75" D
3 mounting holes per side of panel spaced 5.25" apart vertically and two holes spaced 7.8" apart horizontally
Surface Wall Mounting Box **(-SW)**
4 holes spaced 6W" x 9H"

Environment: Temperature: -30°C (-22°F) to 60°C (140°F)
Humidity: 0%-90% non-condensating

Programming: Via DTMF Keypad

Input Power: Telephone Line Powered

Loop Current: 25mA min to 80mA max

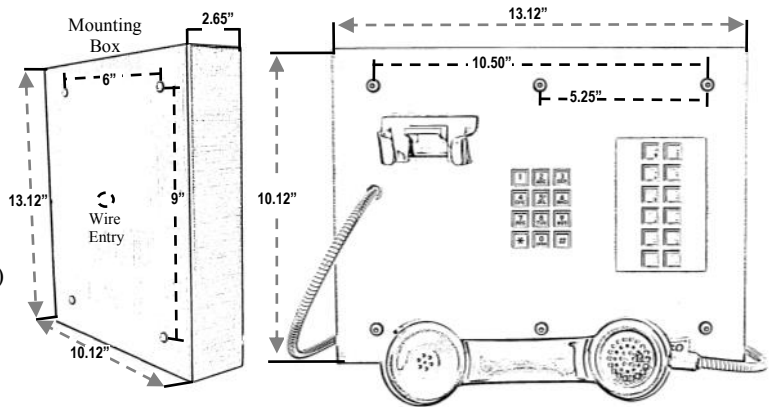
Impedance: 600 ohms

Type Jack: RJ11C

Ringer Equivalency: 0.4A

Hearing Aid Compatible: Meets EIA standards

ACCESSORIES: 301-037 Security Tool



ADDITIONAL OPTIONS

IP - Voice over Internet Protocol Version available on all models (SIP)

-M	-IVC	-ACH**	-CCH*	-LB	-RIL	-SW	Standard rough in mounting box
Sealed Magnetic Hookswitch • Completely Sealed • No Moving Parts	Internal Volume Control • Push Button Volume Control • Background Noise reduction	Optional armored cord lengths from 12" to 72". Example: ACH18 (18" armored cord handset)	Coiled cord available from 5', 10', & 15' (feet). Example: -CCH5 5' Long	Handset w/ internal steel lanyard (braided metal rope) and lanyard mounting bracket that is secured onto panel for added strength.	Ring Indicator Light located on the phone panel for visual ring indication.	Stainless steel surface mounting box Dimensions: 10.12" W x 13.12"H x 2.65"D 4 holes spaced 6W" x 9H"	Rough-in flush mounting box Dimensions: 8.50" W x 11.50"H x 2.75" D



Providing Telecommunication Solutions Since 1930

Communication Equipment
& Engineering Company

http://www.ceeco.net
Email: sales@ceeco.net

519 SW Park Street

Okeechobee, FL

Voice 863-357-0798

Fax 863-357-0006