

SSP-363-D SPECIFICATIONS

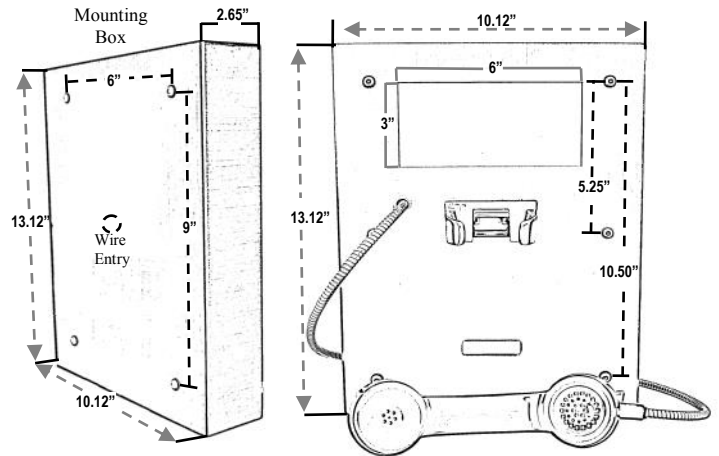
LARGE FLUSH OR WALL MOUNTED HANDSET PANEL TELEPHONE WITH AUTODIAL & SMART FEATURES

Sturdy heavy gauge stainless steel flush mount or surface mount telephone that will automatically dial a number when the handset is activated. Telephone can be programmed to dial 1-25 digits, optional PBX, prefix, or access dialing capability, and provides incoming call block. Phone is built with a 32" hearing aid compatible armored cord handset, marine quality chrome hook switch, ID window, advertising or instruction window, tamper resistant security screws, and flush mount steel rough in mounting box. Optional (-SW) stainless steel surface mount box available.



SPECIFICATIONS

- Panel Size:** 10.12"W x 13.12"H
2"D (Behind Panel)
3"D (Front Panel & Handset on Hook)
5.65"D (With Wall Mounting Box and Handset on Hook)
- Weight:** Approximately 10 lbs.
- Mounting Instructions:** Rough-in flush mounting box **(Standard)**
Dimensions: 8.50" W x 11.50"H x 2.75" D
3 mounting holes per side of panel spaced 5.25" apart vertically and two holes spaced 7.8" apart horizontally
Surface Wall Mounting Box **(-SW)**
4 holes spaced 6W" x 9H"
- Environment:** Temperature: -30°C (-22°F) to 60°C (140°F)
Humidity: 0%-90% non-condensating
- Programming:** Via DTMF Keypad
- Input Power:** Telephone Line Powered
- Loop Current:** 25mA min to 80mA max
- Impedance:** 600 ohms
- Type Jack:** RJ11C
- Ringer Equivalency:** 0.4A
- Hearing Aid Compatible:** Meets EIA standards
- UL & FCC Registration:** Certified
- ACCESSORIES:** 301-037 Security Tool
(required for installation When in a Box)



ADDITIONAL OPTIONS

IP - Voice over Internet Protocol Version available on all models (SIP)

-M	-IVC	-ACH**	-CCH*	-LB	-RIL	-SW	Standard rough in mounting box
Sealed Magnetic Hookswitch • Completely Sealed • No Moving Parts	Internal Volume Control • Push Button Volume Control • Background Noise reduction	Optional armored cord lengths from 12" to 72". Example: ACH18 (18" armored cord handset)	Coiled cord available from 5', 10', & 15' (feet). Example: -CCH5 5' Long	Handset w/ internal steel lanyard (braided metal rope) and lanyard mounting bracket that is secured onto panel for added strength.	Ring Indicator Light located on the phone panel for visual ring indication.	Stainless steel surface mounting box Dimensions: 10.12" W x 13.12"H x 2.65"D 4 holes spaced 6W" x 9H"	Rough-in flush mounting box Dimensions: 8.50" W x 11.50"H x 2.75" D



Providing Telecommunication Solutions Since 1930

Communication Equipment
& Engineering Company

519 SW Park Street

<http://www.ceeco.net>

Okeechobee, FL

Email: sales@ceeco.net

Voice 863-357-0798

Fax 863-357-0006