

# SSP-361-F SPECIFICATIONS

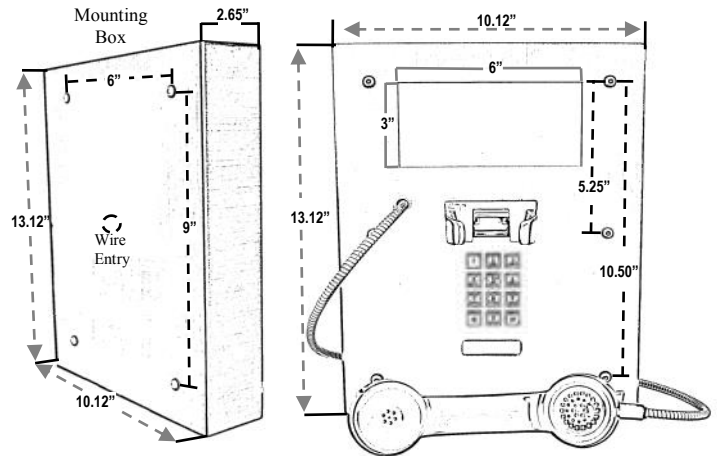
## LARGE FLUSH OR WALL MOUNTED HANDSET PANEL TELEPHONE WITH KEYPAD

Sturdy heavy gauge stainless steel flush mount panel telephone for standard dialing with call restrictions. Programmable features include call restrictions, PBX, prefix, or access dialing capability, timed call duration setting from no limit up to 30 minutes, call restriction capability, allow or block incoming calls, and 40 (1-11 digits) speed dialing locations. Phone is built with marine quality chrome tone dial keypad and mechanical hook switch, 32" hearing aid compatible armored cord handset, ID window, advertising or instruction window, tamper resistant security screws, and rough in steel mounting box. Optional (-SW) stainless steel surface mount box available.



### SPECIFICATIONS

- Panel Size:** 10.12"W x 13.12"H  
2"D (Behind Panel)  
3"D (Front Panel & Handset on Hook)  
5.65"D (With Wall Mounting Box and Handset on Hook)
- Weight:** Approximately 10 lbs.
- Mounting Instructions:** Rough-in flush mounting box **(Standard)**  
Dimensions: 8.50" W x 11.50"H x 2.75" D  
3 mounting holes per side of panel spaced 5.25" apart vertically and two holes spaced 7.8" apart horizontally  
Surface Wall Mounting Box **(-SW)**  
4 holes spaced 6W" x 9H"
- Environment:** Temperature: -30°C (-22°F) to 60°C (140°F)  
Humidity: 0%-90% non-condensating
- Input Power:** Telephone Line Powered
- Loop Current:** 23mA min to 80mA max
- Impedance:** 600 ohms
- Type Jack:** RJ11C
- Ringer Equivalency:** 0.4A
- Hearing Aid Compatible:** Meets EIA standards
- UL & FCC Registration:** Certified
- ACCESSORIES:** 301-037 Security Tool  
(required for installation When in a Box)



### ADDITIONAL OPTIONS

IP - Voice over Internet Protocol Version available on all models (SIP)

-M	-IVC	-ACH**	-CCH*	-LB	-RIL	-SW	Standard rough in mounting box
Sealed Magnetic Hookswitch • Completely Sealed • No Moving Parts	Internal Volume Control • Push Button Volume Control • Background Noise reduction	Optional armored cord lengths from 12" to 72". Example: ACH18 (18" armored cord handset)	Coiled cord available from 5', 10', & 15' (feet). Example: -CCH5 5' Long	Handset w/ internal steel lanyard (braided metal rope) and lanyard mounting bracket that is secured onto panel for added strength.	Ring Indicator Light located on the phone panel for visual ring indication.	Stainless steel surface mounting box Dimensions: 10.12" W x 13.12"H x 2.65"D 4 holes spaced 6W" x 9H"	Rough-in flush mounting box Dimensions: 8.50" W x 11.50"H x 2.75" D



Providing Telecommunication Solutions Since 1930

Communication Equipment  
& Engineering Company

519 SW Park Street

<http://www.ceeco.net>

Okeechobee, FL

Email: [sales@ceeco.net](mailto:sales@ceeco.net)

Voice 863-357-0798

Fax 863-357-0006