

STAINLESS STEEL PANEL SPEAKERPHONES

571 & 570 STAINLESS STEEL FLUSH MOUNT HANDSFREE SPEAKERPHONES

The CEECO Model SSP-571 Series stainless steel, vandal resistant, panel speakerphones are so versatile for such a compact unit. These attractive yet discreet designed speakerphones offer clear, reliable communication for unique locations such as Elevators and other customer service locations that require emergency notification. The SSP-571 Series are equipped with press to start, press to stop call button for the initiation and termination of phone calls and an LED visual call process indication light with optional smart features to include Auto Answer, Voice Announcement, and Remote Programming as well as optional ADA features required for emergency phones. They can be flush mounted and, for easy installation, mounted in our attractive optional mounting box and frame. Because of their durable and quality design, the SSP-571 series offers telephone solutions built to last.



FEATURES

Stainless Steel Panel Phone with Tamper Resistant Security Hardware

Phone can't be left Off-Hook as it Resets Itself when called party disconnects

Puncture and Weather Proof Speaker

Low Powered versions available

Available with, Autodial, Second Number Autodial, or Ring-Down Operation

Optional Attractive Mounting Box and Frame

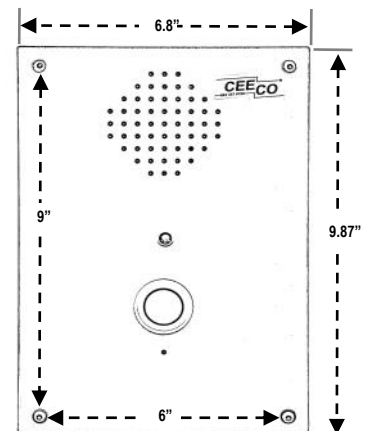
Line Powered

Requires 301-037 Security Tool for Installation

1 Year Warranty and Lifetime Support

SPECIFICATIONS

Panel Size:	6.80"W x 9.87"H 2.75"D (Behind Panel) 3" D (w/ Optional Mounting Box)
Weight:	Approximately 7 lbs. Approximately 10 lbs. w/optional mounting box and frame
Mounting:	Flush Mounted Four holes proved on front panel Spaced: 6"W x 9"H Optional Mounting Box available (371-011) Box Dimensions: 7"W x 10"H x 3" D Box Requires: mounting frame (371-012) and four mounting brackets (371-009) Frame Dimensions: 9.56"W x 11.54"H
Environment:	Temperature: -30°C (-22°F) to 60°C (140°F) Humidity: 0%-90% non-condensating
Loop Current:	30mA min to 80mA max
Impedance:	600 ohms
Type Jack:	RJ11C
Ringer Equivalency:	0.4A
UL & FCC Registration:	Certified








CEECO has been providing telecom solutions since 1930. Our vandal resistant technology focuses on providing public communication solutions while reducing replacement and repair costs, lowering the customer's total cost of ownership. CEECO also offers custom design and branding to your specifications. Our commitment to providing expert service and support extends beyond the warranty of our product. We offer support for the life of the product! CEECO is devoted to giving you the quality and service you deserve.

STAINLESS STEEL PANEL SPEAKERPHONES





571 & 570 STAINLESS STEEL FLUSH MOUNT HANDSFREE SPEAKERPHONES

Flush Mount Stainless Steel Panel Speakerphones

SSP-571-D-ADA AUTODIAL PHONE	SSP-571-D2 AUTODIAL PHONE	SSP-571-X RINGDOWN PHONE	LOW POWER SPEAKERPHONES SSP-570-D or SSP-570-X	SSP-571-D-371-011/012 WITH MOUNTING BOX
				
DIMENSION: 6.80" W x 9.87" H x 2.75" D	DIMENSION: 6.80" W x 9.87" H x 2.75" D	DIMENSION: 6.80" W x 9.87" H x 2.75" D	DIMENSION: 6.80" W x 9.87" H x 2.75" D	DIMENSION: 8.56" W x 11.54" H x .250" D
SSP-571-D-ADA Model Hands-free speakerphone <ul style="list-style-type: none"> • Small, convenient size • Stainless steel panel Automatic Tone Dialer (D) <ul style="list-style-type: none"> • Press to start/Press to stop button • Programmed to dial a single number up to eleven (11) digits in length ADA features <ul style="list-style-type: none"> • Braille emergency plate • LED call progress indicator light 	SSP-571-D2 Model Hands-free speakerphone Automatic Dialer (D2) <ul style="list-style-type: none"> • Press to start/Press to stop button • Will dial a second number when called party does not answer • Can not be left off-hook as it detects when called party hangs up and resets itself 	SSP-571-X Model Hands-free speakerphone Ring-down Operation (X) <ul style="list-style-type: none"> • Press to start/Press to stop button • Can accept incoming calls • Can initiate a call when programmed to a customers PBX or Phone System 	SSP-570-D Model Low Power Speakerphone Red LED Indicator Light Automatic Tone Dialer (D) <ul style="list-style-type: none"> • Programmed to dial a single number up to eleven (11) digits in length SSP-570-X Model Low Power Speakerphone Red LED Indicator Light Ring-down Operation (X) <ul style="list-style-type: none"> • Can accept incoming calls • Can initiate a call when programmed to a customers PBX or Phone System 	SSP-571-D-011/012 Handsfree speaker phone Automatic Tone Dialer (D) <ul style="list-style-type: none"> • Programmed to dial a single number up to eleven (11) digits in length Mounting box/frame (011/012) SSP-571-D-ADA-011/012 Autodial speakerphone American Disability Act (ADA) <ul style="list-style-type: none"> • Braille emergency plate • LED call progress indicator light • Red push button

ADDITIONAL OPTIONS

IP - Voice over Internet Protocol Version available on all models (SIP)

-ADA	371-011 Mounting Box	371-012 Mounting Box Frame	371-009 Mounting Bracket	Additional Options & Features
				Auto Answer (AA) Remote Programming (RP) Voice Announcement (VA)
<ul style="list-style-type: none"> • Red/ green LED call progress indicator light • Braille Emergency Plate "EMERG. PHONE" • Red Push Button 	Mounting Box that requires the 371-012 frame Dimensions: 7"W x 10"H x 3" D	Frame for mounting box required with purchase of 370-011: Dimensions: 9.56" W x 11.54"H four spaced holes 7.32"W x 10.35" H	Mounting bracket for 571/570 series telephone. 4 brackets are required	

Visit our website at www.ceeco.net or call us at 863-357-0798 for detail specifications on any of our models.