

WPP-531-D SPECIFICATIONS

HANDSFREE SPEAKERPHONE WITH PUSH-BUTTON AUTODIAL IN A WEATHERPROOF HOUSING

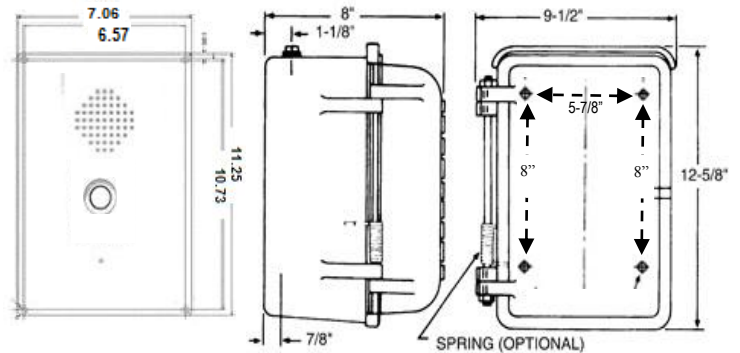
Standard Analog Power, but also available in VoIP versions

Heavy duty stainless steel handsfree speakerphone in a cast aluminum black waterproof housing with TELEPHONE on door and pin latch for wall or pole mount. Designed to automatically dial a preprogrammed number from 1-11 digits when the button is pushed and red/green LED light provides visual indication of call progress. Capable of dialing a PBX or access number, block or allow incoming calls, and provides call duration time-out from 1-9 minutes or no time-out. Telephone can not be left off-hook, as it detects when called party hangs up and resets itself. Equipped with a weatherproof, puncture resistant speaker and microphone and tamper resistant security screws. ADA Emergency features Available. WPP models available in black, (-R) red, (-Y) Yellow, or (-G) Gray with TELEPHONE or EMERGENCY on door.



SPECIFICATIONS

| | |
|-----------------------------------|--|
| Panel Size: | 7 1/6"W x 11 1/4"H |
| Weatherproof Housing: | 9 1/2"W x 12 5/8"H x 8"D (Including Door) |
| Weight: | Approximately 17 lbs. |
| Mounting Instructions: | Weatherproof Housing 4 holes spaced 8" x 5 7/8" Also available pole mounting bracket |
| Environment: | Temperature: -30°C (-22°F) to 60°C (140°F) Humidity: 0%-90% non-condensing |
| Programming: | Via DTMF Keypad |
| Input Power: | Telephone Line Powered |
| Loop Current: | 30mA min to 80mA max |
| Impedance: | 600 ohms |
| Type Jack: | RJ11C |
| Ringer Equivalency: | 0.4A |
| UL & FCC Registration: | Certified |
| ACCESSORIES: | 301-064 Security Tool (required for installation) |



| ADDITIONAL OPTIONS | | IP - Voice over Internet Protocol Version available on all models (SIP) | | | | | Additional Options & Features |
|---|---|---|---|---------------------------|---|--|-------------------------------|
| -ADA | Weatherproof Housing | -ST/-SB/-RST | -RIL | -SP | Pole Mount | | |
| | | | | | | Auto Answer (AA) Remote Programming (RP) Voice Announcement (VA) | |
| <ul style="list-style-type: none"> Red/ green LED call progress indicator light Braille Emergency Plate "EMERG. PHONE" Red push button | Standard Black & TELEPHONE on Door -B-EMER Black & EMERGENCY on Door -R Red & EMERGENCY on Door -R-TEL Red & TELEPHONE on Door -Y Yellow & EMERGENCY on Door -Y-TEL Yellow & Telephone on Door -G Grey & TELEPHONE on Door -G-EMER Grey & EMERGENCY on Door | Blue Strobe Light option: <ul style="list-style-type: none"> Steady on Flashing For location visibility Requires AC power | Ring Indicator Light located on the phone panel for visual ring indication. | Spring loaded door option | Pole Mounting bracket fits poles 2.5" - 6". | | |



Providing Telecommunication Solutions Since 1930

Communication Equipment
& Engineering Company

<http://www.ceeco.net>
Email: sales@ceeco.net

519 SW Park Street

Okeechobee, FL

Voice 863-357-0798

Fax 863-357-0006