

WPP-333-DD SPECIFICATIONS

HANDSET TELEPHONE PANEL WITH TWO AUTODIAL PUSH BUTTONS IN A WEATHERPROOF HOUSING

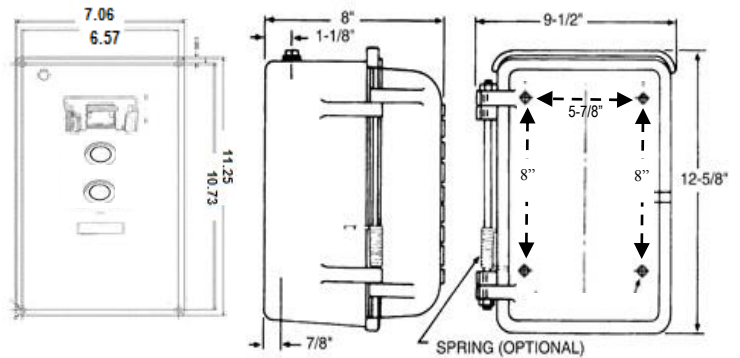
Standard Analog Power, but also available in VoIP versions

Heavy duty weatherproof stainless steel phone in a cast aluminum black housing with TELEPHONE on door and pin latch for wall or pole mount. Designed with two (2) automatic dialer push buttons. Each push button is programmable to dial 1-11 digits, and incoming calls may be allowed or blocked. Equipped with marine quality chrome mechanical hookswitch, ID window, 18" hearing aid compatible armored cord handset or (-CCH5) 5 foot industrial strength coiled cord handset, and tamper resistant security screws. WPP models available in black, (-R) red, (-Y) Yellow, or (-G) Gray with TELEPHONE or EMERGENCY on door.



SPECIFICATIONS

Panel Size:	7 1/6"W x 11 1/4"H 9 1/5"W x 12 5/8"H x 8"D (Including Door)
Weight:	Approximately 17 lbs.
Mounting Instructions:	Weatherproof Housing 4 holes spaced 8" x 5 7/8" Also available pole mounting bracket
Environment:	Temperature: -30°C (-22°F) to 60°C (140°F) Humidity: 0%-90% non-condensating
Programming:	Via DTMF Keypad
Input Power:	Telephone Line Powered
Loop Current:	25mA min to 80mA max
Impedance:	600 ohms
Type Jack:	RJ11C
Ringer Equivalency:	0.4A dbm.
Hearing Aid Compatible:	Meets EIA standards
UL & FCC Registration:	Certified
ACCESSORIES:	301-064 Security Tool (required for installation)



ADDITIONAL OPTIONS

IP - Voice over Internet Protocol Version available on all models (SIP)

-M	-IVC	-CCH*	-LB	Weatherproof Housing	-ST/-SB/-RST	-RIL	-SP	Pole Mount
Sealed Magnetic Hookswitch • Completely Sealed • No Moving Parts	Push Button Volume Control Background Noise reduction	Coiled cord available from 5', 10', & 15' (feet). Example: -CCH5 5' Long	Handset w/ internal steel lanyard (braided metal rope) and lanyard mounting bracket that is secured onto panel for added strength.	Standard Black & TELEPHONE on Door -B-EMER Black & EMERGENCY on Door -R-EMER Red & EMERGENCY on Door -R-TEL Red & TELEPHONE on Door -Y-EMER Yellow & EMERGENCY on Door -Y-TEL Yellow & Telephone on Door -G-EMER Grey & TELEPHONE on Door -G-TEL Grey & EMERGENCY on Door	Blue Strobe Light option: • Steady on • Flashing • For location visibility • Requires AC power	Ring Indicator Light located on the phone panel for visual ring indication.	Spring loaded door option	Pole Mounting bracket fits poles 2.5" - 6".



Providing Telecommunication Solutions Since 1930

Communication Equipment
& Engineering Company

519 SW Park Street
Okeechobee, FL

<http://www.ceeco.net>

Voice 863-357-0798

Email: sales@ceeco.net

Fax 863-357-0006