

HOB-531-DD SPECIFICATIONS

HANDSFREE SPEAKERPHONE WITH TWO AUTODIAL PUSH BUTTON IN OPEN ENCLOSURE STEEL HOUSING

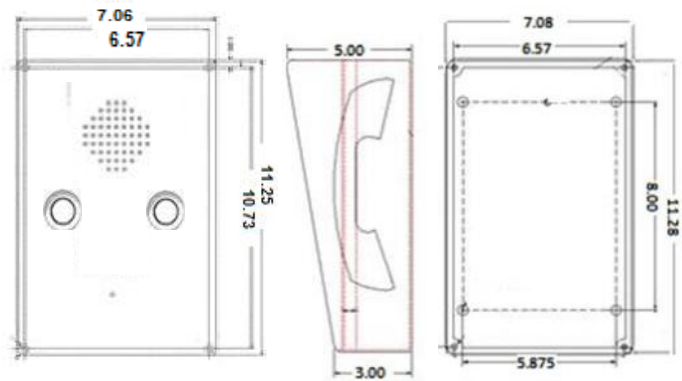
Standard Analog Power, but also available in VoIP versions

Weather and vandal resistant stainless steel handsfree speakerphone in an open enclosure wall mount black housing with telephone emblem on sides. Designed with two (2) automatic dialing push buttons. Each button is preprogrammed to dial a number from 1-11 digits when the button is pushed and red/green LED light provides visual indication of call progress. Capable of blocking or allowing incoming calls and provides call duration time-out at 1, 3, or 5 minutes or no time-out. Telephone can not be left off-hook, as it detects when called party hangs up and resets itself. Equipped with weatherproof, puncture resistant speaker and microphone. Telephone can be flush mounted or installed in our 331-005 weatherproof or 331-HOB weather resistant housing.



SPECIFICATIONS

Panel Size:	7 1/6"W x 11 1/4"H
Open Enclosure Housing:	7 1/4"W x 11 1/2"H x 5"D
Weight:	Approximately 10 lbs.
Mounting Instructions:	Open Enclosure Housing 4 holes spaced 8" x 5 7/8"
Environment:	Temperature: -30°C (-22°F) to 60°C (140°F) Humidity: 0%-90% non-condensing
Programming:	Via DTMF Keypad
Input Power:	Telephone Line Powered
Loop Current:	30mA min to 80mA max
Impedance:	600 ohms
Type Jack:	RJ11C
Ringer Equivalency:	0.4A
UL & FCC Registration:	Certified
ACCESSORIES:	301-064 Security Tool (required for installation)



ADDITIONAL OPTIONS

IP - Voice over Internet Protocol Version available on all models (SIP)

-ADA	Open Enclosure Housing	-RIS	-RIL	Additional Options & Features
				Auto Answer (AA) Voice Active (VA) Auto Answer (AA)
<ul style="list-style-type: none"> Red/ green LED call progress indicator light Braille Emergency Plate "EMER. PHONE" Red push button 	Standard Black Housing -R Red Housing -S Stainless Steel Housing	Ring Indicator Flashing Blue Light (Requires AC Power)	Ring Indicator Light located on the phone panel for visual ring indication	



Providing Telecommunication Solutions Since 1930

Communication Equipment
& Engineering Company
<http://www.ceeco.net>
Email: sales@ceeco.net

519 SW Park Street
Okeechobee, FL
Voice 863-357-0798
Fax 863-357-0006