

SERVICE MANUAL

FOR

MODEL SSP-361-F

STAINLESS STEEL PANEL TELEPHONE



Serving the Telephone Industry Since 1930

*Communication Equipment
& Engineering Company*

519 W South Park Street

Okeechobee, FL 34972

Voice: 863-357-0798

Fax: 863-357-0006

IMPORTANT INFORMATION FOR CUSTOMER

Please fill in before you continue.

The following information is necessary when calling CEECO for assistance.

| | |
|--------------------|-----------------|
| MODEL NUMBER | MODEL SSP-361-F |
| SERIAL NUMBER | |
| DATE MANUFACTURED | |
| LOCATION INSTALLED | |

For us to better serve you, please have this information available when calling for technical support.

CEECO

Communication Equipment and Engineering Company

519 W South Park Street
Okeechobee, FL 34972
863-357-0798- telephone
863-357-0006- facsimile
info@ceeco.net
www.ceeco.net

TABLE OF CONTENTS

| <u>SECTION</u> | <u>PAGE</u> |
|--|--------------------|
| 1.0 INTRODUCTION..... | 4 |
| 2.0 GENERAL DESCRIPTION | 4 |
| 3.0 OPERATION | 4 |
| 4.0 RECOMMENDED TOOLS AND TEST EQUIPMENT | 4 |
| 5.0 INSTALLATION NOTES AND ASSEMBLY INSTRUCTIONS | 5 |
| 6.0 TESTING..... | 6 |
| 7.0 TROUBLESHOOTING | 7 |
| 8.0 SPECIFICATIONS..... | 8 |
| 9.0 PARTS LIST | 9 |
| 10.0 FCC NOTICE..... | 10 |
| 11.0 REPAIR AND RETURN INFORMATION..... | 11 |
| 12.0 WARRANTY POLICY | 12 |

1.0 INTRODUCTION

The practices in this manual provide installation and maintenance information for Model SSP-361-F Telephone.

The information in this manual is subject to change without notification.

For information not included in this manual, please call or write:

CEECO
Customer Service
519 W South Park Street
Okeechobee, FL 34972
863-357-0798- telephone
863-357-0006- facsimile
info@ceeco.net
www.ceeco.net

2.0 GENERAL DESCRIPTION

The CEECO Model SSP-361-F is a Stainless Steel Panel Telephone equipped with a metal button tone dial. The SSP-361-F is designed for special applications where a telephone must mount flush with the mounting surface.

3.0 OPERATION

Lift the handset. After dial tone is heard dial your number using the keypad. Normal phone operation follows.

4.0 RECOMMENDED TOOLS AND TEST EQUIPMENT

Volt/Ohm Meter
1/4" Nut Driver
Flat Blade Screw Driver
Security Tool, CEECO Part Number 301-037

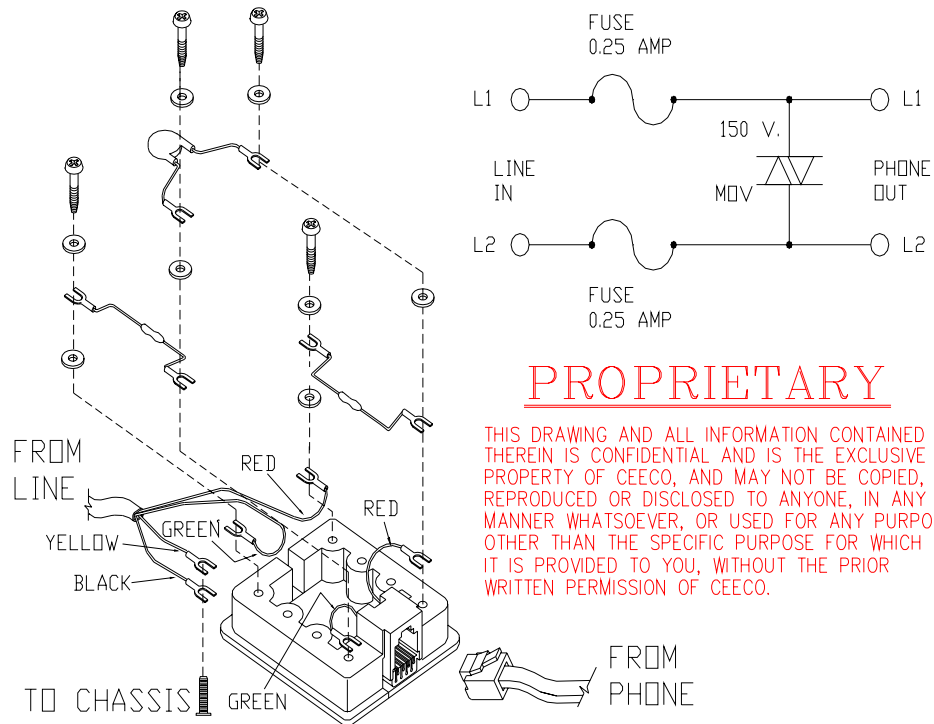
5.0 INSTALLATION NOTES AND ASSEMBLY INSTRUCTIONS

- 5.1 Using a 301-037 security tool (sold separately), loosen and remove the security screws. The security tool is for a standard 5/32" button head screw generally used on the framework of the phone booths.
- 5.2 Separate the cover assembly from the mounting box. The mounting box is designed to be mounted flush with any flat vertical surface. Mounting holes are provided on all sides and the back of the box.
- 5.3 Run the inside station wire through the mounting box and terminate Tip and Ring on to the Green and Red wires of the RJ11C modular jack located on the inside of the box. Please refer to the diagram on the following page. The CEECO-provided modular jack **must** be utilized, as it contains required over-voltage protection.
- 5.4 The use of a gas tube station protector is recommended. The station ground should not exceed 50 ohms.
- 5.5 Plug the modular line cord from the cover assembly into the RJ11C modular jack. Dress the line cable away from the edge of the box and install the cover panel assembly by placing the six security screws into the six corresponding holes.
- 5.6 Secure the cover assembly by tightening the security screws.

*****WARNING*****

- A. **Never install telephone wiring during a lightning storm.**
- B. **Never install telephone jacks in wet locations unless the jack is specifically designed for wet locations.**
- C. **Never touch uninsulated telephone wires or terminals unless the telephone line has been disconnected at the network interface.**
- D. **Use caution when installing or modifying telephone lines.**

5.7 LINE WIRING DIAGRAM:



PROPRIETARY

THIS DRAWING AND ALL INFORMATION CONTAINED THEREIN IS CONFIDENTIAL AND IS THE EXCLUSIVE PROPERTY OF CEECO, AND MAY NOT BE COPIED, REPRODUCED OR DISCLOSED TO ANYONE, IN ANY MANNER WHATSOEVER, OR USED FOR ANY PURPOSE OTHER THAN THE SPECIFIC PURPOSE FOR WHICH IT IS PROVIDED TO YOU, WITHOUT THE PRIOR WRITTEN PERMISSION OF CEECO.

6.0 TESTING

- 6.1 Connect the phone to a phone line or a DTMF phone test set.
- 6.2 Lift the handset. Dial tone is heard.
- 6.3 Dial a number (the transmitter is muted while tones are present). Normal conversation follows. Place the handset on hook to terminate the call.
- 6.4 Place a call into the phone. An audible ringer signals an incoming call. Normal phone conversation is allowed.

7.0 TROUBLESHOOTING

Always visually check the phone for loose or shorted wires, damaged terminals or damaged parts.

PROBLEM: NO DIAL TONE

POSSIBLE CAUSE:

LINE CORD
RJ11C CONNECTOR
DIAL PC BOARD
HANDSET
HOOKSWITCH

PROBLEM: DIAL TONE IS DISTORTED

POSSIBLE CAUSE:

DIAL PC BOARD
HANDSET
HOOKSWITCH
MICROSWITCH

PROBLEM: TRANSMITTER DOES NOT
TURN ON

POSSIBLE CAUSE:

HANDSET
DIAL PC BOARD

PROBLEM: CAN'T DIAL

POSSIBLE CAUSE:

DIAL PC BOARD
KEYPAD

PROBLEM: RINGER DOES NOT OPERATE

POSSIBLE CAUSE:

RINGER
DIAL PC BOARD

8.0 SPECIFICATIONS

| | |
|----------------------------|--|
| INPUT POWER: | C.O. Line Powered |
| LOOP CURRENT: | 23ma min to 80ma max |
| IMPEDANCE: | 600 ohms |
| SIGNALING: | DTMF, 70ms tone, 50ms spacing |
| HEARING AID COMPATIBLE: | Meets EIA standards |
| ENVIRONMENTAL: | Temperature 0°C to 50°C Humidity 20%-90% non-condensating |
| TELEPHONE COVER: | 14 ga. Stainless Steel |
| DIMENSIONS: | 10.12" W x 13.12" H |
| MOUNTING: | Apparatus Box |
| WEIGHT: | Apx. 8 lbs. |
| FCC REGISTRATION: | BW88T7-13717-TE-T |
| UL LISTED NO.: | 6OF5 |
| RINGER EQUIVALENCY: | 0.4A |
| TYPE JACK: | RJ11C |

9.0 PARTS LIST

| <u>QUANTITY</u> | <u>PART NUMBER</u> | <u>DESCRIPTION</u> |
|-----------------|--------------------|----------------------------------|
| 1 | 735-100 | Model 730 Metal Button Tone Dial |
| 1 | 301-004 | Handset with Armored Cord |
| 1 | 401-009 | Ringer |
| 1 | 301-009 | Network |
| 1 | 301-581 | Tongue and Bracket Assembly |
| 1 | 301-588 | Hookswitch Cradle |
| 2 | 301-570 | Microswitch Assembly |
| 1 | 361-001 | Apparatus Box |
| 1 | 301-054 | Modular Jack |
| 1 | 301-018 | Line Cord |
| 6 | 406-019 | Security Screw 10-32 x 1/2 |

OPTION:

| | | |
|---|---------|---------------|
| 1 | 301-037 | Security Tool |
|---|---------|---------------|

10.0 FCC NOTICE

10.1 FCC REGISTRATION AND REPAIR INFORMATION

Your new telephone has been registered with the Federal Communication Commission (FCC) in accordance with Part 68 . The FCC requires that you be advised of certain requirements involving the use of this telephone.

10.2 CONNECTION WITH THE NATIONWIDE TELEPHONE NETWORK

The FCC requires that you connect this telephone to the Nationwide Telephone Network through a registered jack provided by the telephone company in your area. This jack is a modular outlet which you can order from your local telephone company.

10.3 NOTIFICATION TO THE TELEPHONE COMPANY

Before connecting this telephone, the FCC requires that you notify your local telephone company business office. The number is in the front of your phone book.

Tell them:

The "line" to which you will connect the telephone (your phone number) and the telephone's FCC registration number and ringer equivalence number. These numbers are listed in Section 7.0 specifications.

The FCC further requires that you notify your local telephone company when permanently disconnecting this telephone.

11.0 REPAIR AND RETURN INFORMATION

11.1 WARRANTY REPAIR

Any device returned requiring warranty service, repair or credit must be accompanied with a "Return Material Authorization" (RMA) FORM. It must include: return shipping instructions, original purchase order number and special marking instruction. A description of the trouble observed must be attached to the defective unit. This information must be inside the shipping container.

11.2 DIRECT ALL INQUIRES TO

CEECO

Repair Department

863-357-0798- telephone

863-357-0006- facsimile

info@ceeco.net

www.ceeco.net

11.3 NON-WARRANTY REPAIR

CEECO will repair equipment out of warranty for a set charge plus parts. The customer must pay the shipping costs both directions.

11.4 RETURN FOR CREDIT

Material may be returned for credit only with prior approval. Material authorized for return is subject to a 20% restocking charge based on the manufacturers list price. Return Material Authorization must be requested no later than 30 days after original shipment.

12.0 WARRANTY POLICY

12.1 GENERAL

CEECO products are guaranteed to be free of defects in material and workmanship for a period of 365 days from the date of original purchase. CEECO's obligation under this warranty is limited to repair or replacement of any part found to be defective by CEECO. Under no circumstances shall CEECO be liable for loss, damage, cost of repair or consequential damages of any kind which have been caused by neglect, abuse, acts of God or improper operation of equipment. This warranty is limited to the value of material only.

12.2 PRINTED CIRCUIT BOARDS

Printed circuit boards should not be repaired in the field. If a unit is found to be faulty, replace it with another unit and return the faulty unit to CEECO for repair. Modifications by anyone other than CEECO will void the warranty.