

LARGE STAINLESS STEEL TELEPHONE PANELS

361 & 363 STAINLESS STEEL FLUSH OR WALL MOUNTED TELEPHONE PANELS

The CEECO SSP 361 Series large flush mount panel telephones are designed to withstand vandalism and areas subject to fraud and abuse. Their imposing design and impressive durability often helps to deter vandalism, while making them easy to locate. The high grade stainless steel finish makes them aesthetically pleasing yet effortless to maintain, and their vandal resistant instruction window makes it accommodating for customers to add specific instructions for their users. These security, emergency, and public communication handset telephones are equipped with industrial grade armored cord hearing aid compatible handset, marine quality chrome hookswitch and cradle, and tamper resistant security screws, making them not only attractive but built to last. Our optional stainless steel wall mounting box (-SW) gives our customers an attractive yet easy solution to wall mount these sturdy and durable units.



SPECIFICATIONS

Panel Size:	10.12"W x 13.12"H 2"D (Behind Panel) 3"D (Front Panel & Handset on Hook) 5.65"D (With Wall Mounting Box and Handset on Hook)
Weight:	Approximately 10 lbs.
Mounting :	Rough-in flush mounting box (Standard) Dimensions: 8.50" W x 11.50"H x 2.75" D 3 mounting holes per side of panel spaced 5.25" apart vertically and two holes spaced 7.8" apart horizontally Surface Wall Mounting Box (-SW) 4 holes spaced 6W" x 9"H
Environment:	Temperature: -30°C (-22°F) to 60°C (140°F) Humidity: 0%-90% non-condensating
Input Power:	Telephone Line Powered
Loop Current:	23mA min to 80mA max
Impedance:	600 ohms
Type Jack:	RJ11C
Ringer Equivalency:	0.4A
Hearing Aid Compatible:	Meets EIA standards
UL & FCC Registration:	Certified

Features

Vandal Resistant, Stainless Steel Construction with Security Hardware

Vandal Resistant Instruction Window with Area for Customer Specified Instructions

32" Hearing aid compatible armored cord handset, other lengths available

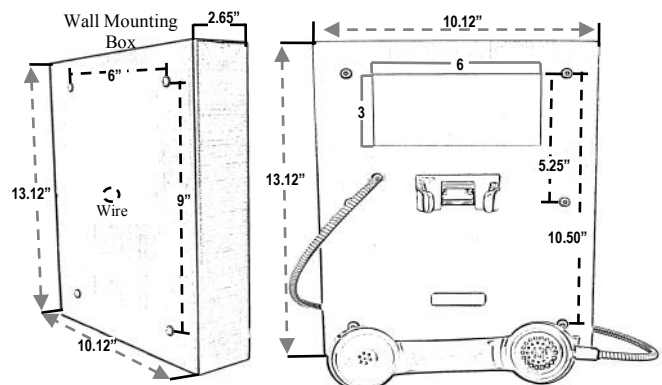
Flush Mount Panel with Rough-In Mounting Box Included or Optional Stainless Steel Wall Mount Box (-SW)

Marine quality mechanical hookswitch, optional magnetic hookswitch available

Requires 301-037 Security Tool for Installation

Analog line powered, VoIP model available

1 Year Warranty and Lifetime Support



CEECO has been providing telecom solutions since 1930. Our vandal resistant technology focuses on providing public communication solutions while reducing replacement and repair costs, lowering the customer's total cost of ownership. CEECO also offers custom design and branding to your specifications. Our commitment to providing expert service and support extends beyond the warranty of our product. We offer support for the life of the product! CEECO is devoted to giving you the quality and service you deserve.

PROVIDING EXCELLENT PRODUCT & SERVICE YOU CAN TRUST, SINCE 1930

LARGE STAINLESS STEEL TELEPHONE PANELS

361 & 363 STAINLESS STEEL TELEPHONE PANELS

Flush Mount or Wall Mount Large Stainless Steel Telephone Panels

KEYPAD PANEL PHONES		AUTO DIAL PANEL PHONES		OTHER PANEL PHONES	
SSP-361-F or SSP-363-F	SSP-363-FE	SSP-361-D-M	SSP-363-D	SSP-361-X-SW	SSP-363-E
DIMENSION: 7 1/6"W x 11 1/4"H x 4 1/4"D		DIMENSION: 7 1/6"W x 11 1/4"H x 4 1/4"D		DIMENSION: 7 1/6"W x 11 1/4"H x 4 1/4"D	
Stainless Steel, Telephone Panel Chrome Hookswitch & Cradle 32" Armored Cord Handset Vandal Resistant Instruction Window SSP-361-F Model Chrome Tone Dial Keypad (F) <ul style="list-style-type: none"> Ability to allow incoming or outgoing calls SSP-363-F Model Chrome Tone Dial Keypad (F) SMART Features <ul style="list-style-type: none"> Ability to allow or block incoming calls Call restriction capability Option to auto dial PBX or access numbers Programmable conversation time-out Optional speed dialing SSP-363-FE Model Keypad (F) +12 Button Auto Dial (E) <ul style="list-style-type: none"> Each button is programmable to speed dial a single number from 1-23 digits Label area provided to list call destination next to each button Ability to allow or block incoming calls Speed dial capability only, no other calls allowed 		Stainless Steel, Telephone Panel Chrome Hookswitch & Cradle 32" Armored Cord Handset <ul style="list-style-type: none"> Hearing aid compatible Optional cord lengths Vandal Resistant Instruction Window SSP-361-D Model Automatic Dialer (D) <ul style="list-style-type: none"> Activated when the handset is lifted Will auto dial a single number from 1-11 digits SSP-363-D Model Automatic Dialer (D) SMART Features <ul style="list-style-type: none"> Can be programmed to dial up to 25 digits Optional access code prefix dialing Ability to allow or block incoming calls 		Stainless Steel, Telephone Panel Chrome Hookswitch & Cradle 32" Armored Cord Handset <ul style="list-style-type: none"> Hearing aid compatible Optional cord lengths Vandal Resistant Instruction Window SSP-361-X Model Ring-down Operation (X) <ul style="list-style-type: none"> Activated when the handset is lifted Ability to allow incoming calls Initiate a call when programmed through a PBX or phone system SSP-363-E Model <ul style="list-style-type: none"> Each button is programmable to speed dial a single number from 1-23 digits Label area provided to list call destination next to each button Ability to allow or block incoming calls Speed dial capability only, no other calls allowed 	

ADDITIONAL OPTIONS **IP- Voice over Internet Protocol Version Available on all Models (SIP)**

-M	-IVC	-ACH**	-CCH*	-LB	-RIL	-SW	Standard rough in mounting box
Sealed Magnetic Hookswitch <ul style="list-style-type: none"> Completely Sealed No Moving Parts 	Internal Volume Control <ul style="list-style-type: none"> Push Button Volume Control Background Noise reduction 	Optional armored cord lengths from 12" to 72". Example: ACH18 (18" armored cord handset)	Coiled cord available from 5', 10', & 15' (feet). Example: -CCH5 5' Long	Handset w/ internal steel lanyard (braided metal rope) and lanyard mounting bracket that is secured onto panel for added strength.	Ring Indicator Light located on the phone panel for visual ring indication.	Stainless steel surface mounting box Dimensions: 10.12" W x 13.12"H x 2.65"D 4 holes spaced 6W" x 9H"	Rough-in flush mounting box Dimensions: 8.50" W x 11.50"H x 2.75" D