


SSP-351 SERIES

Stainless Steel, Vandal Resistant, Rugged Telephones Built to Last

The CEECO Models SSP-351-D-M and SSP-351-X-M are sturdy, vandal resistant, stainless steel telephones designed to provide a compact flush mount automatic dialing or ring-down panel telephone for areas subject to abuse, high use, and vandalism. Ideally, these units are suited for hotline, ATM service, emergency service, or courtesy telephone communication.



Made in the USA 

SPECIFICATIONS

INPUT POWER:	C.O. Line Powered or PBX
LOOP CURRENT:	23mA min to 80mA max
IMPEDANCE:	600 ohms
SIGNALING:	DTMF
HEARING AID COMPATIBLE:	Meets EIA standards
ENVIRONMENTAL:	Temperature: -30°C (-22°F) to 90°C (194°F) Humidity 0%-90% non-condensating
RINGER EQUIVALENCY:	0.4A
TYPE JACK:	RJ11C
TELEPHONE COVER:	Brushed 16 ga. Stainless Steel
DIMENSIONS:	8.25"H x 4.55"W x 3.10"D (handset on hook)
MOUNTING:	Vertical surface mount
WEIGHT:	5 lbs.
FCC REGISTRATION:	Registered
UL LISTED NO.:	60F5

ACCESSORIES:

301-064	Security Tool (required for installation)
---------	--

FEATURES

Standard 4 gang electrical Masonry Mounting Box Included

Stainless Steel Construction with Tamper Resistant Hardware

32" Armored Cord Handset

Magnetic Hookswitch with no Moveable Parts

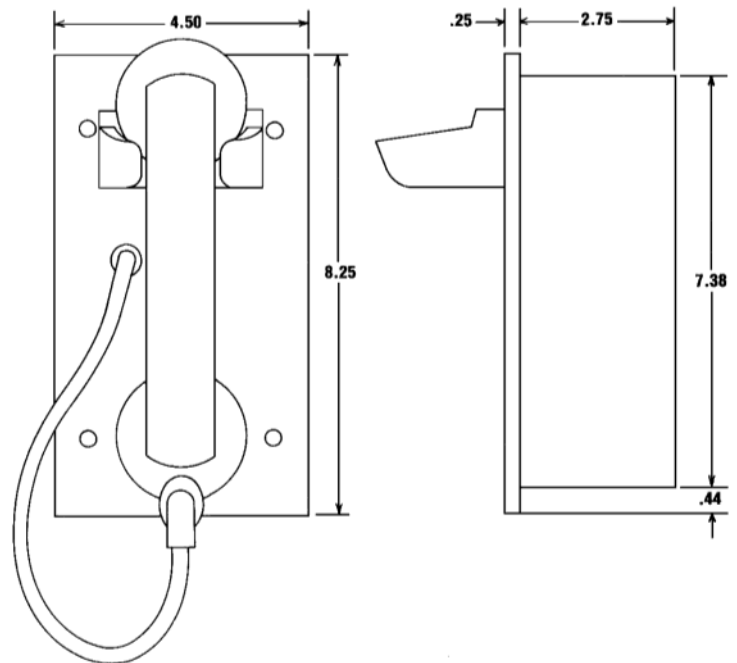
Flush Mount Installation

Available in Ring-down or Autodial

Incoming Calls Accepted or No Ringer to Avoid Incoming Calls

Line Powered

1 Year Warranty



Providing Telecommunication Solutions Since 1930

Communication Equipment
& Engineering Company

Web: www.ceeco.net

Email: sales@ceeco.net

519 SW Park Street
Okeechobee, FL 34972

Voice 863-357-0798

Fax 863-357-0006

SSP-351 SERIES

PRODUCT MANUALS WITH FULL FEATURES AND FUNCTIONS AVAILABLE UPON REQUEST

SSP-351-D-M AUTODIAL PHONE	SSP-351-X-M RINGDOWN PHONE	SSP-351-D-M-CCH5 AUTODIAL PHONE	IP-SSP-351-X-M AUTODIAL WITH VoIP	4 GANG ELECTRICAL MASONRY BOX
				
DIMENSION: 4.55" W x 8.25" H x 3.10" D Tap here for details	DIMENSION: 4.55" W x 8.25" H x 3.10" D Tap here for details	DIMENSION: 4.55" W x 8.25" H x 3.10" D Tap here for details	DIMENSION: 4.55" W x 8.25" H x 3.10" D Tap here for details	DIMENSION: 3.75"W x 7.40625"H x 3.5"D
The SSP-351-D-M Autodial, vandal resistant, stainless steel panel telephone is equipped with a 32" armored cord handset and magnetic hookswitch. This automatic tone dialer telephone will dial a single number of up to eleven (11) digits and the automatic dialing feature is activated when handset is lifted off hook. Also Included with all SSP-351 models is a 4-gang electrical masonry mounting box.	The SSP-351-X-M vandal resistant, stainless steel panel telephone equipped with 32" armored cord handset and magnetic hookswitch is a ring-down operation telephone that will accept incoming calls. This compact telephone is designed to be used in conjunction with external automatic dialing equipment, which would allow phone calls to be made when the handset is lifted off hook.	The SSP-351-D-M-CCH5 Autodial, vandal resistant, heavy gauge stainless steel panel telephone is equipped with a 5' industrial coiled cord hearing aid compatible handset and magnetic hookswitch. This automatic tone dialer telephone will dial a single number of up to eleven (11) digits. The automatic dialing feature is activated by hook-switch closure. (Coiled Cord available in 5', 10' and 15').	The IP-SSP-351-X-M vandal resistant, stainless steel panel ringdown operation telephone equipped with a 32" armored cord handset and magnetic hookswitch. This telephone is an analog unit that comes VoIP-ready with an externally powered ATA unit. (Requires AC Power).	The 4 gang electrical masonry box comes standard with all SSP-351 models for wall installations

PARTS & ADDITIONAL OPTIONS

IP-	-ACH**	-ACH*	-CCH*	-BR	301-064
					
IP-SSP-351 Series available for SIP Protocol VoIP (Requires AC Power)	Other Length armored cord from 12" to 72" Example: -ACH12 (12" Long)	ACHW-White Handset ACHR-Red Handset (Black is standard)	Coiled cord available from 5', 10', & 15' (feet). Example: -CCH5 (5' Long)	Braille "EMER PHONE" emergency Plate	Security Tool required for installation

IP - Voice over Internet Protocol Version available on all models (SIP) **CUSTOMIZATION** - Call us for additional options and features

Visit our website at www.ceeco.net or call us at 863-357-0798 for detail specifications on any of our models.



CEECO also offers custom design and branding to your specifications. Our commitment to providing expert service and support extends beyond the warranty of our product. We offer support for the life of the product! CEECO is devoted to giving you the quality and service you deserve.

Providing Telecommunication Solutions Since 1930

Communication Equipment
& Engineering Company
Web: www.ceeco.net
Email: sales@ceeco.net

519 SW Park Street
Okeechobee, FL 34972
Voice 863-357-0798
Fax 863-357-0006