

# SPECIAL DUTY AUTOMATIC DIALER TELEPHONES

SSC-303-DDD

A full-size public telephone designed to fit a standard "1" style telephone booth footprint. Ideal for use in public locations requiring access to multiple services. Anti-fraud features eliminate fraud from hookswitch dialing and hand held dialers. Line sensors automatically disconnect when the called party disconnects.

## FEATURES

- **STAINLESS STEEL CONSTRUCTION**
- **HEARING AID COMPATIBLE**
- **MULTIPLE NUMBER AUTOMATIC DIALER**
- **ELIMINATES HOOKSWITCH DIALING**
- **PREVENTS FRAUD FROM HAND HELD DIALERS**
- **PAYSTATION HOOKSWITCH AND CRADLE**
- **MICROPROCESSOR CONTROLLED**
- **LINE POWERED**
- **FCC REGISTERED / UL APPROVED**
- **FIELD PROGRAMMABLE**
- **STEEL LANYARD, ARMORED CORD**

NOTE Custom models available on special order.



**Communication Equipment  
& Engineering Company**

<http://www.ceeco.net>

E-mail: [sales@ceeco.net](mailto:sales@ceeco.net)

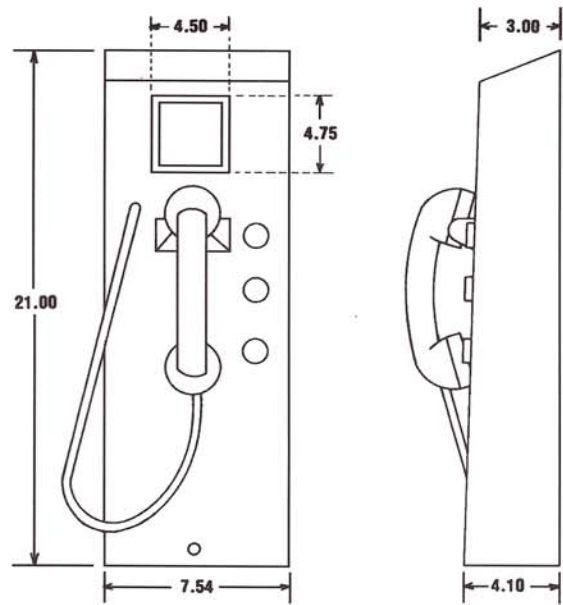
Serving the Telephone Industry Since 1930

# SPECIFICATIONS

## ORDERING INFORMATION

PART NO.	DESCRIPTION
SSC-303-DDD (Formerly 303-SXZ)	Stainless Steel, with three push button automatic dialers. Each button will dial a single number of up to 23-digits. Anti-fraud features. (Shown)
SSC-301-D (Formerly 301-DS)	Stainless Steel, single number automatic dialer. Speed dials up to 11-digits when handset is lifted. (Not shown)
SSC-303-D (Formerly 303-DS)	Stainless Steel, single number automatic dialer – PABX compatible. Speed dials single number of up to 23-digits when handset is lifted. Anti-fraud features. (Not shown)

## MECHANICAL DIMENSIONS



Serving the Telephone Industry Since 1930

**Communication Equipment  
& Engineering Company**

<http://www.ceeco.net>

E-mail: [sales@ceeco.net](mailto:sales@ceeco.net)